

VALVEMAKER by Wellflex®

Butterfly Valve to BS5155/BS EN593

Water Version



For Waterworks/Drainage/Sewage Purpose & General Use

WELLFLEX Karsten Benende GmbH Arberger Straße 8 D-28205 Bremen Federal Republic of Germany
Phone: (0421) 43931-5 Telefax: (0421) 441123 E-mail: vmakerwf@netvigator.com

Shaft weather seal

Actuator flange accomodates all types of operators: handle, gear, electric, and pneumatic actuators.

Pressure surge seals are molded inside the seat shaft hole area. These rings below disc are materially compatible with the seat to provide failsafe sealing around stem, eliminating possible leakage.

The phenolic backed seat is non-collapsible, stretch resistant and blowout proof. Easily field replaceable.

Polished disc flats "mate" with seat fists to give a highly efficient seal: prevents leakage into thestem area.

Precision profile disc provides bubbletight shut off with minimal disc/seat interference, assuring minimum torque and longer seat lift.

Supported stem seal protects against distortion, a common cause of stem leakage.

Strong precision key gives positive attachment for manual lever or actuator.

Luberized bronze bushings give stem support at actuator mounting and immediately outboard of seat.

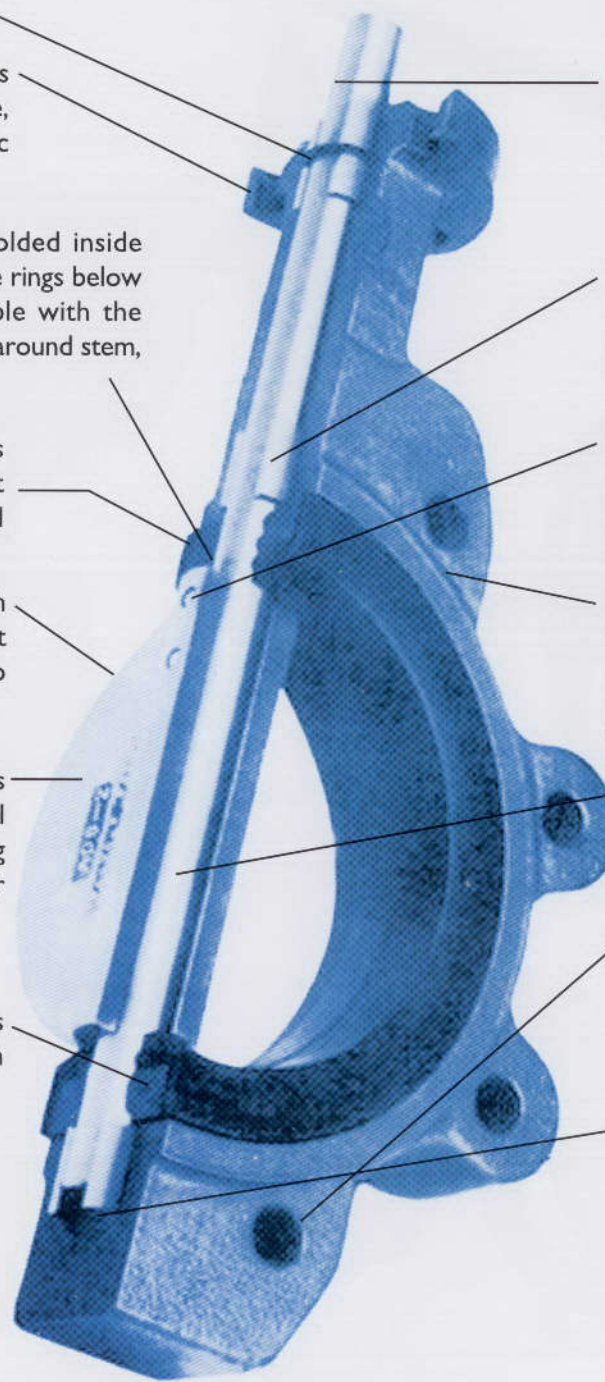
Precision taper pins ensure positive, vibration proof, stem to disc connection. Easily field replaceable.

Valves available with both wafer and lug type bodies. Fully lined body in a broad range of materials-including Teflon.

One piece thru-stem design ensures dependability and positive disc control.

Alignment features allow easy installation between pipeline flanges; a real installation cost saver.

Axial bearing prevents shaft overload.



VALVEMAKER Butterfly Valve, Wafer Version

SPECIFICATION

Having licensed the intellectual property of the world famous Valves, Valvemaker by Wellflex is now able to manufacture resilient sealed butterfly valves up to 2000mm diameter. The valve complies fully with the requirements of BS5155 & BS EN593.

Suitable for waterworks, drainage, sewage, sea water, potable water, flush water, air, gas, mineral oil, alkalizes/dilute acids and etc.

DESIGN

1. Small in size and light in weight. Easy installation and maintenance. It can be mounted wherever needed.
2. Simple and compact construction, quick 90 degrees on-off operation.
3. Minimized operating torque, energy saving.
4. Flow curve in straight line. Excellent regulation performance.
5. Long working life. Standing the test of tens of thousands opening/closing operations.
6. Bubbles-tight sealing with no leakage under the pressure test.
7. Wide selection of materials, applicable for various mediums

WAFER DRILLING

Wafer type has flange location holes to suit BS EN1092-2 PN10/16

(former standard BS4504 PN10/16), BS10 Table D and E, DIN2501, ANSI Class 125/150

PROTECTIVE COATING

Epoxy coating material, approved for potable water service to BS6920

WORKING TEMPERATURE

-10 to 150 Degree C (with proper materials)

TESTING

All valves are machine tested on each face to the nominal pressure and on the body to the test pressure in accordance with BS5155, BS EN593 and BS6755:1986

Working Pressure	Body Test Pressure	Seat Test Pressure
16 Bar	24 Bar	17.6 Bar

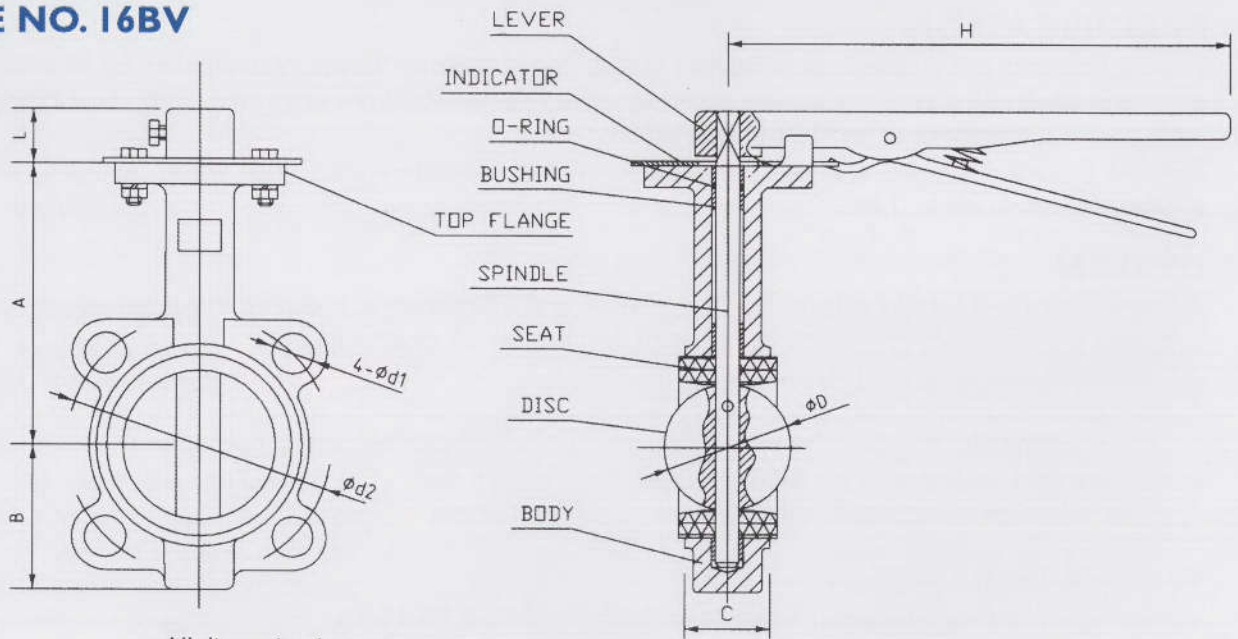
MATERIAL

COMPONENT	STANDARD	OPTIONS on request
Body	Grey Cast Iron ¹ BS EN1561 GJL220 or 250	<ul style="list-style-type: none">• Ductile Iron (Spheroidal Graphite cast iron) BS EN1563 GJS410/18 or 420/12• Stainless Steel BS970 Grade 304 or 316• Carbon Steel
Disc	Ductile Iron (Spheroidal Graphite cast iron) ² BS EN1563 GJS410/18 or 420/12	<ul style="list-style-type: none">• Stainless Steel BS970 Grade 304 or 316• Aluminum Bronze• Carbon Steel
Shaft/Spindle	Stainless Steel BS970 Grade 431S29	<ul style="list-style-type: none">• Stainless Steel BS970 Grade 304 or 316
Seat (Resilient Sealed)	EPDM ³ BS EN681-1 and BS6920	<ul style="list-style-type: none">• NBR• VITON• PTFE
Bushing	Bronze	<ul style="list-style-type: none">• PTFE

Remark: former standard ¹BS1452
²BS2789
³BS2494

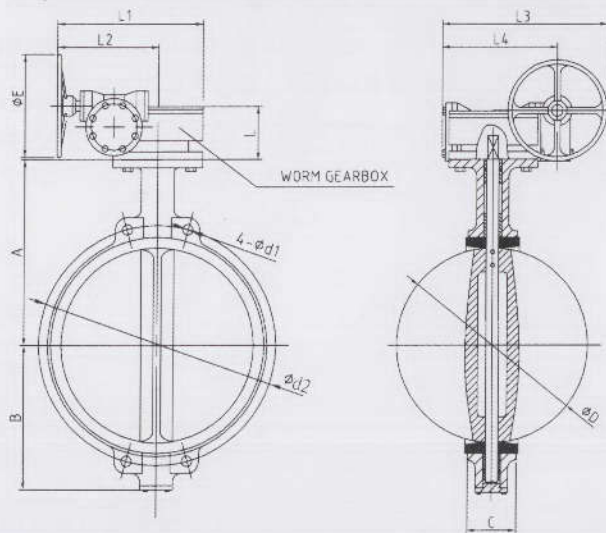
WELTWEIT **WELLFLEX** WORLDWIDE

FIGURE NO. 16BV



All dimension in mm

DN	A	B	C	L	H	øD	ød1	ød2	Kg
50	161	80	42	32	266	52.9	18	125	2.5
65	175	89	45.8	32	266	64.5	18	145	3.2
80	181	95	45.8	32	266	78.8	18	160	3.6
100	200	114	52	32	266	104	18	180	4.9
125	213	127	55	32	266	123.3	18	210	7
150	226	139	55.8	32	266	155.1	22	240	7.8
200	260	175	61.6	45	355	202.5	22	295	13.2
250	292	203	67.2	45	505	250.5	26	355	19.2
300	337	242	76.9	45	505	301.6	26	410	32.5



All dimension in mm

DN	A	B	C	øE	L	L1	L2	L3	L4	øD	ød1	ød2	Kg
200	260	175	61.6	250	126	241	163	80	70	202.5	22	295	16.5
250	292	203	67.2	250	126	291	193	98	95	250.5	26	355	22.2
300	337	242	76.9	300	126	473	358	449	178	301.6	26	410	37.5
350	368	267	76.9	300	126	473	358	449	178	333.3	26	470	42.5
400	400	309	86.5	300	126	473	358	449	178	389.6	30	525	62
450	422	328	105.6	300	126	473	358	449	178	440.5	30	585	83
500	480	361	131.8	300	126	528	384	496	196	491.6	33	650	132
600	562	459	152	400	126	596	407	627	244	592.5	36	770	193

WELLFLEX Karsten Benende GmbH

Arberger Straße 8 • D-28205 Bremen • Phone: (0421) 43931-5 • Telefax: (0421) 441123

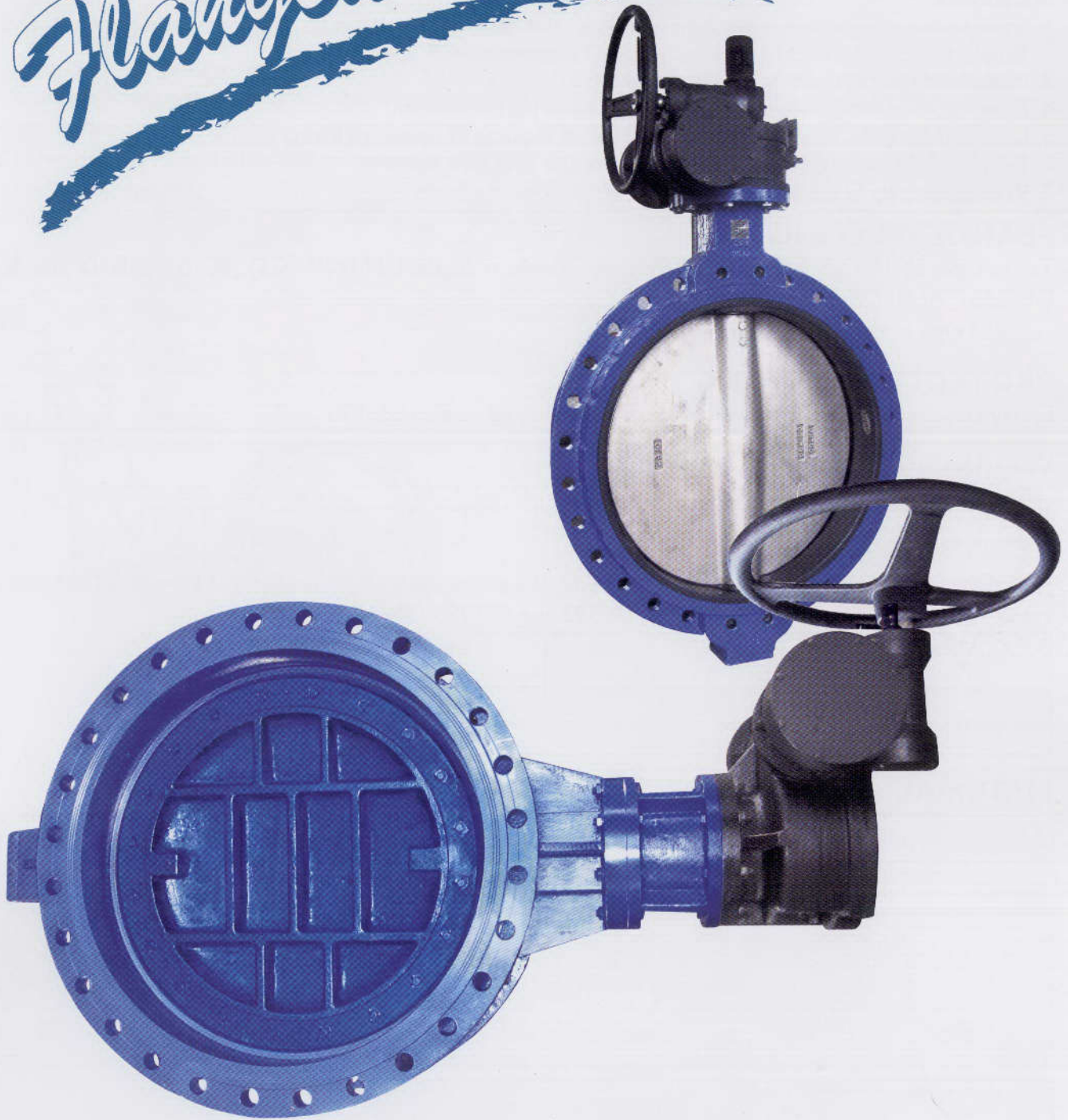
E-mail: vmakerwf@netvigator.com Federal Republic of Germany

The description and illustrations printed on this literature are intended merely to present a general idea of the goods described hereon and none of these shall form part of any contract which may be concluded between the company and a purchaser.

VALVEMAKER by Wellflex®

Butterfly Valve to BS5155/BS EN593

Flanged Version



For Waterworks/Drainage/Sewage Purpose & General Use

WELLFLEX Karsten Benende GmbH Arberger Straße 8 D-28205 Bremen Federal Republic of Germany
Phone: (0421) 43931-5 Telefax: (0421) 441123 E-mail: vmakerwf@netvigator.com