



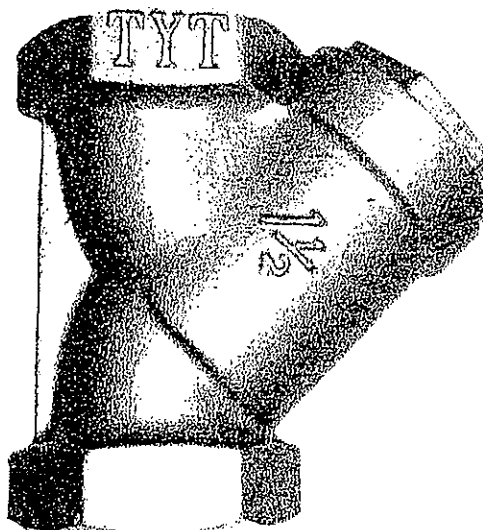
彬記 (國際) 有限公司

BUN KEE (INTERNATIONAL) LIMITED

OFFICE : 12/F., PHASE 1, AUSTIN TOWER, 22-26 AUSTIN AVENUE, TST., KLN., H.K.
 TEL : (852) 2728 7237 FAX : (852) 2387 2999

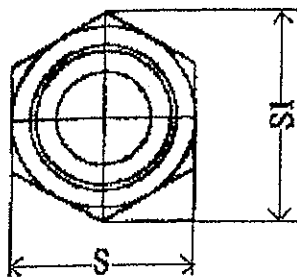
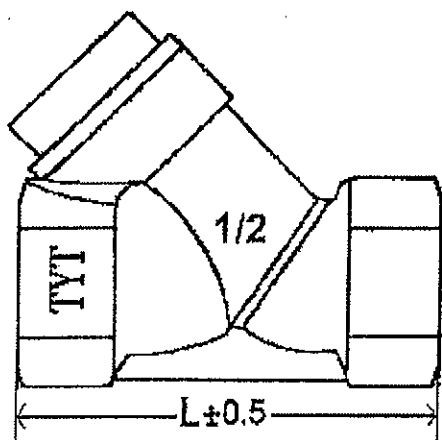
T.Y.T. 牌銅 Y 型過濾器 (銅 Y 格)

T.Y.T. Brass Y-Strainer



Model No. : TYT-912
 Size : 1/2" (15mm), 3/4"(20mm), 1" (25mm),
 1.1/4"(32mm), 1.1/2"(40mm), 2"(50mm), 2.1/2"(65mm),

Note: the female threads at the inlet and at the outlet of the sample comply with BS21.



Chemical Composition:

Part	Designation to BS1400: 1973
Body	Brass DCB3

Size	1/2"	3/4"	1"	1 1/4"	1 1/2"	2"	2 1/2"
L	57.7	67.3	75.0	91.6	104.5	124.7	165.5
S	25.7	31.7	39.4	48.6	55.9	69.3	83.0
S1	29.3	36.4	45.0	55.6	63.8	79.1	95.0
φ D	BSPF 1/2	BSPF 3/4	BSPF 1	BSPF 1 1/4	BSPF 1 1/2	BSPF 2	BSPF 2 1/2




NUTEK SYSTEMS, LTD.

Unit B, 13/F., Universal Ind. Ctr.,
23-25 Shan Mei Street,
Fo Tan, Shatin, N.T., Hong Kong.
Tel: (852) 2605 5736 Fax: (852) 2602 0788

TEST REPORT

TITLE : Testing of Strainer
OUR REFERENCE : J9162
DESCRIPTION OF SAMPLE : $\varnothing 1\frac{1}{2}$ " Copper alloy Y-strainer with screwed ends; pressure rating : PN16
SAMPLE SUBMITTED BY :

MANUFACTURER : M/s Goodyear Valves Works Corp.
BRAND : TYT
COUNTRY OF ORIGIN : Taiwan R.O.C.
MODEL : TYT-912
BODY MARKINGS : TYT $1\frac{1}{2}$ 
TEST REQUIRED : 1) Dimensions;
2) Hydraulic pressure test,
3) Chemical composition test
PERIOD OF TESTS : 24th to 26th May 2003

RESULTS:-

1. DIMENSIONS (in millimetres)

			Sample
Nominal size			40
Minimum body wall thickness			2.5
Face to face dimension			104.5
Screen	dimensions of screen holes	overall length	1.9
		overall width	0.8
	pitch of screen holes		2.0 min.

Note : the female threads at the water inlet and water outlet comply with BS21.

2. HYDRAULIC PRESSURE TEST

	Test pressure (bar)	Duration (s)	Remark
Sample	24	60	Pass

Note : no leakage was detected during the above test.



NUTEK SYSTEMS, LTD.

Unit B, 13/F., Universal Ind. Ctr.,
23-25 Shan Mei Street,
Fo Tan, Shatin, N.T., Hong Kong
Tel: (852) 2605 5736 Fax: (852) 2592 0790

TEST REPORT

OUR REFERENCE NO. J9162 (P.2)

3. CHEMICAL COMPOSITION TEST

Component	Elements Compositions (%)									Designation to BS1400: 1985
	Cu	Zn	Pb	Sn	Ni	Fe	Mn	Al	Other Impurities	
Strainer body	60.2	36.3	2.3	0.2	0.3	0.2	0.0	0.2	0.3	DCB3

Component	Element compositions (%)							Designation to BS970 : Part 1 : 1996
	C	Si	Mn	Ni	Cr	S	P	
Screen	0.05	0.29	1.8	9.8	18.3	0.01	0.01	304S15

4. SUMMARY OF RESULTS (apply only to the sample tested)

Dimensions — As shown in section 1
Hydraulic pressure tests — Satisfactory
Chemical composition — Satisfactory

Date: 26th May 2003

Authorized signature: _____

Samson W.K. Yiu

(Director)

Nutek Systems is a testing agency.
approved by the Water Authority and
Government Supplies Department, for
testing water supply fittings.