



# 彬記 (國際) 有限公司

## BUN KEE (INTERNATIONAL) LIMITED

OFFICE : 12/F., PHASE 1, AUSTIN TOWER, 22-26 AUSTIN AVENUE, TST., KLN., H.K.  
 TEL : (852) 2728 7237 FAX : (852) 2387 2999 WEBSITE : www.bunkee.com

### "SK-I" 牌 不銹鋼閘掣

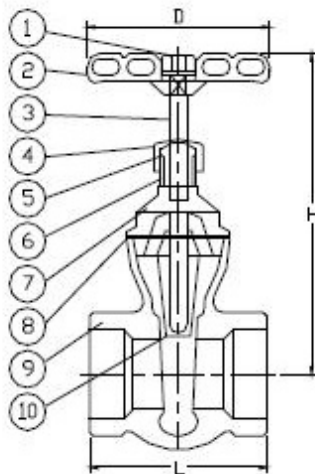
### "SK-I" Brand Gate Valve

(with screwed connection ends)



Model No : SKISV-GVS  
 Size : 1/2" (15mm), 3/4" (20mm), 1" (25mm),  
 1-1/4" (32mm), 1-1/2" (40mm),  
 2" (50mm), 2-1/2" (65mm), 3" (80mm)  
 Note : The female threads at the water inlet  
 and water outlet comply with BS21

No	Part	Material
1	Stem Nut	S/S304
2	Handwheel	Ductile Iron
3	Stem	S/S316
4	Gland Nut	CF8M/1.4408
5	Gland	S/S304
6	Packing	PTFE
7	Bonnet	CF8M/1.4408
8	Gasket	PTFE
9	Body	CF8M/1.4408
10	Disc	CF8M/1.4408



Chemical Composition	
Components	Designation to BS970: Part 1: 1996
Body	316

Dimension (mm)					
Size	Dime	L	H	S	WT (kg)
1/2"		57	98	70	0.52
3/4"		61	104	70	0.63
1"		67	115	76.5	0.81
1-1/4"		76	127.5	76.5	1.18
1-1/2"		87	172	103.5	2.00
2"		95	189	121	2.82
2-1/2"		116	260	121	4.60
3"		131	295	121	7.00