

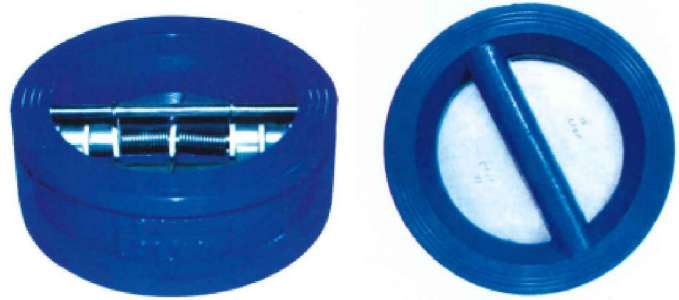
# VALVEMAKER

BS EN12334 / BS5153

## Wafer Type Dual Disc Check Valve

### ADVANTAGES

Low Head Loss  
Compact Water Design  
Disc Stabilized Disc and Stop Pins  
Stabilized Disc and Stop Pins  
Non-Slam Closing Characteristics  
Lift and Pivot Disc Action  
Drop Tight Seating at Low and High Pressures



### SPECIFICATION

The Valvemaker Dual Disc Check Valve complies with the requirements of BS EN12334 (former standard BS5153).

### SCOPE OF APPLICATION

Suitable for waterworks, drainage, fire fighting, air conditioning, sea water and etc. These wafer type check valves could be installed in horizontal or vertical systems with rising flow to prevent flow reversal.

### WAFER TYPE TO SUIT FLANGE CONNECTION

Face-to-Face Dimensions to comply BSEN558-1 Series 16 \*\*API594 also available\*\*

To suit BS EN1092-2 PN16 / PN10 / PN25 (former standard BS4504 PN16 / PN10 / PN25)

Also available to suit : JIS 5K / 10K / 20K  
ANSI b16.1 Class 125LB / 150LB / 300LB / 600LB / 900LB

### TESTING

All valves are 100% tested on shell and seat tightness to the test pressure in accordance with BS EN12334 and BSEN12266-1 and API598

Working Pressure	Body Test Pressure	Seat Test Pressure
10 DDC – 10 Bar	15 Bar	11 Bar
16 DDC – 16 Bar	24 Bar	17.6 Bar
25 DDC – 25 Bar	37.5 Bar	27.5 Bar

### PROTECTIVE COATING

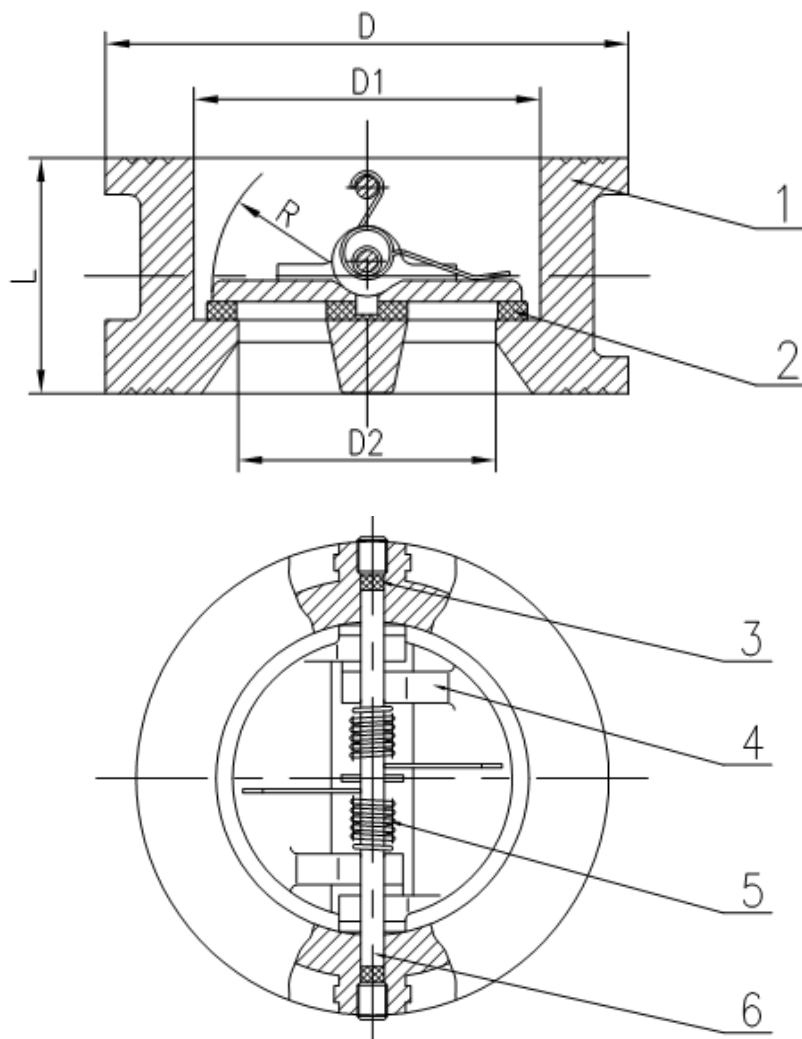
Dry Film Thickness 250 – 500 microns Epoxy coating material, approved for potable water service to comply BS6920

### MATERIAL

COMPONENTS		STANDARD MATERIALS	OPTIONS on request
1	BODY	Ductile Iron : BSEN1563 EN GJS 400/15 Also named as SG Spheroidal Graphite Cast Iron	Grey Cast Iron to BSEN1561 Grade EN-GJL-200
2	BODY SEAT RING	EPDM BSEN681-1 / BS6920 (Resilient Seat)	NBR BSEN681-1 (Resilient Seat)
3	O-RING SEAL	EPDM BSEN681-1	
4	DISC (Plate)	Stainless Steel Grade 316 / BSEN10088 / BS970	Ductile Iron BSEN1563 EN GJS 400/15 Aluminum Bronze BSEN1982
5	SPRINGS	Stainless Steel Grade 316 / BSEN10088 / BS970	Stainless Steel 304 BSEN10088 / BS970
6	HINGE PIN (Stem)	Stainless Steel Grade 316 / BSEN10088 / BS970	Stainless Steel 304 BSEN10088 / BS970

**For Waterworks/Drainage/Sewage Purpose & General Use**

## Wafer Type Dual Disc Check Valve



### DIMENSIONS (mm)

DN	To Suit BSEN1092-2 PN16 FLANGE						
	L	D	D1	D2	R	Bolts	PCD of Bolts
50	43	107	65	40	27	4-M16	125
65	46	127	80	60	35	4-M16	145
80	64	142	94	70	42	8-M16	160
100	64	162	117	88	50	8-M16	180
125	70	192	145	115	64	8-M16	210
150	76	218	170	134	77	8-M20	240
200	89	273	224	182	103	12-M20	295
250	114	328	265	220	125	12-M24	355
300	114	383	310	260	146	12-M24	410
350	127	444	360	298	170	16-M24	470
400	140	495	410	350	195	16-M27	525
450	152	555	450	385	215	20-M27	585
500	152	617	505	438	238	20-M30	650
600	178	734	624	538	292	20-M33	770
700	229	802	720	662	345	24-M33	840
800	241	912	825	762	294	24-M36	950

**For Waterworks/Drainage/Sewage Purpose & General Use**